



BROAD HORIZON
— T U I T I O N —

11+ Basics Tuition

Year 4

Week 8

ANSWERS

Starter Task

1) $\frac{2}{12} + \frac{7}{12} = \frac{9}{12}$

2) $\frac{1}{10} + \frac{4}{10} = \frac{5}{10}$

3) $\frac{2}{12} + \frac{3}{12} = \frac{5}{12}$

4) 1 whole

5) $\frac{5}{10} + \frac{9}{10} = \frac{14}{10} = \frac{7}{5} = 1\frac{2}{5}$

6) $\frac{5}{10} + \frac{8}{10} = \frac{13}{10} = 1\frac{3}{10}$

7) $\frac{2}{4} - \frac{1}{3} = \frac{6}{12} - \frac{4}{12} = \frac{2}{12} = \frac{1}{6}$

8) $\frac{9}{10} - \frac{2}{4} = \frac{18}{20} - \frac{10}{20} = \frac{8}{20} = \frac{2}{5}$

9) $\frac{1}{2} - \frac{1}{4} = \frac{2}{4} - \frac{1}{4} = \frac{1}{4}$

10) $\frac{3}{4} - \frac{4}{10} = \frac{15}{20} - \frac{8}{20} = \frac{7}{20}$

11) $\frac{2}{7} - \frac{1}{7} = \frac{1}{7}$

12) $\frac{9}{12} - \frac{6}{12} = \frac{3}{12}$

13) $\frac{3}{5} - \frac{1}{5} = \frac{2}{5}$

14) $\frac{5}{9} - \frac{1}{9} = \frac{4}{9}$

15) 7:00

16) 5:15

17) 204

18) 12

19) 85

20) Proper Noun: Aisha, London
Pronoun: she
Verbs: said, was going
Common Noun: There is no common noun in this sentence.

Mental Arithmetic

1. 48
2. 94
3. 112
4. 72
5. 47
6. 181
7. 856
8. 1375
9. 144
10. 158
11. 63
12. 690
13. 490
14. 114
15. 126
16. 450
17. 720
18. 420
19. 140
20. 120

Calculate and Compare the Area of Rectangles Answers

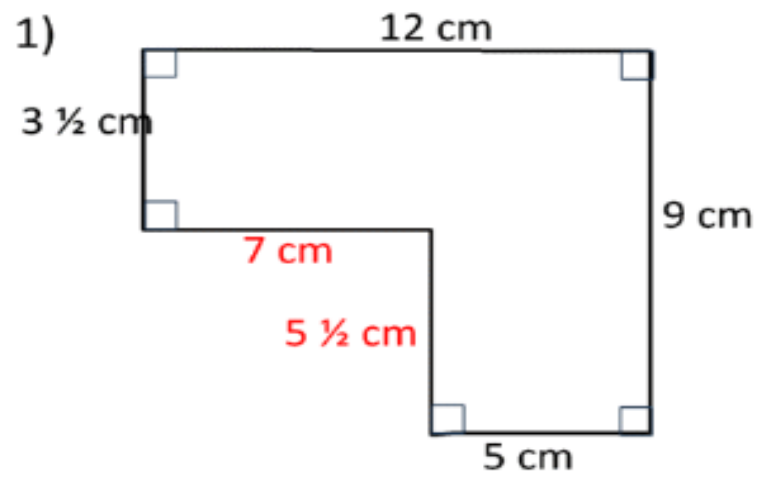
- | | |
|---------------------------------|----------------------------------|
| 1. $4 \times 2 = 8\text{cm}^2$ | 9. $2 \times 2 = 4\text{cm}^2$ |
| 2. $3 \times 3 = 9\text{cm}^2$ | 10. $4 \times 1 = 4\text{cm}^2$ |
| 3. $2 \times 5 = 10\text{cm}^2$ | 11. $5 \times 3 = 15\text{cm}^2$ |
| 4. $6 \times 1 = 6\text{cm}^2$ | 12. $6 \times 2 = 12\text{cm}^2$ |
| 5. $3 \times 2 = 6\text{cm}^2$ | |
| 6. $2 \times 4 = 8\text{cm}^2$ | |
| 7. $4 \times 4 = 16\text{cm}^2$ | |
| 8. $1 \times 7 = 7\text{cm}^2$ | |

Perimeter

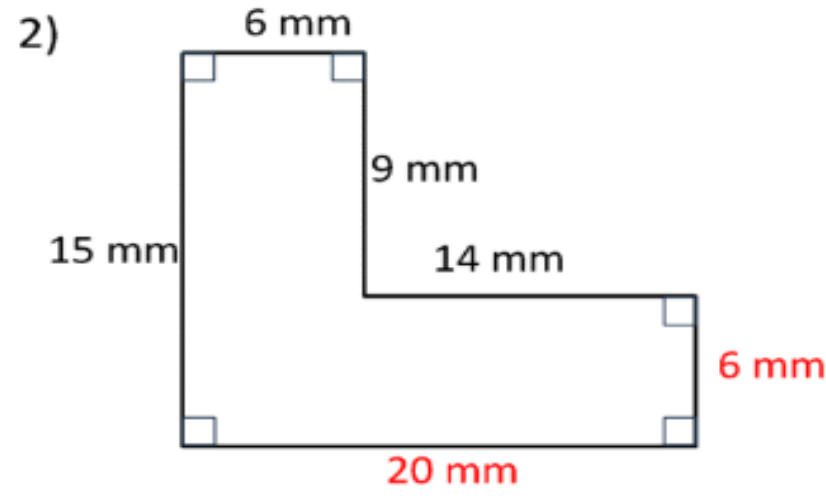
1. Calculate the perimeter of these shapes. Which is the odd one out, and why?

Odd shape out: *Shape C*

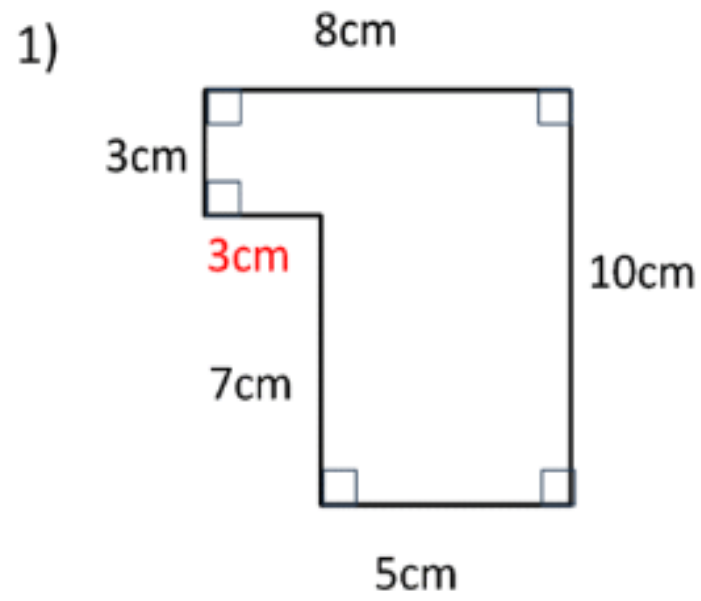
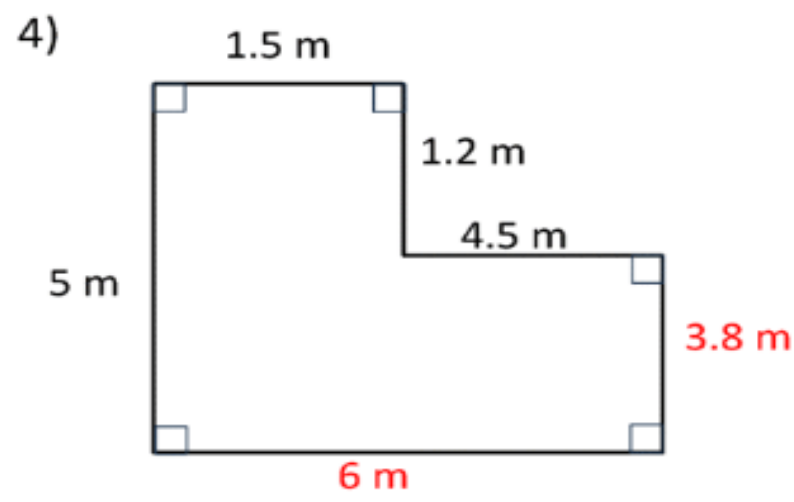
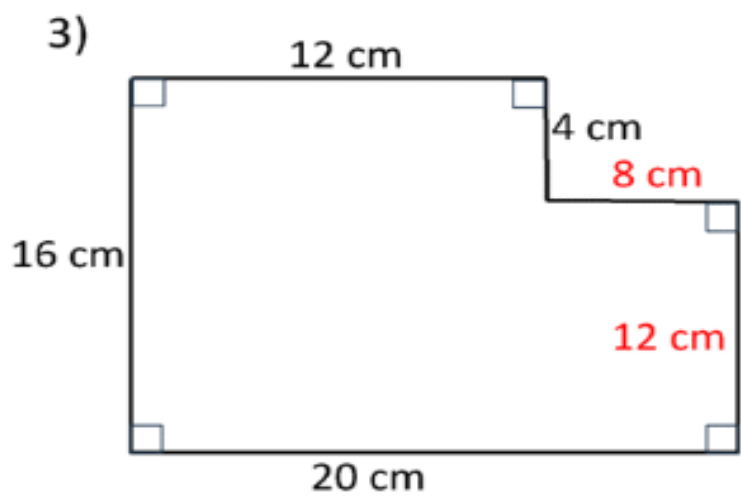
Reason: *a sentence to show that Shape C has a perimeter of 12cm and all the other shapes have a perimeter of 14cm.*



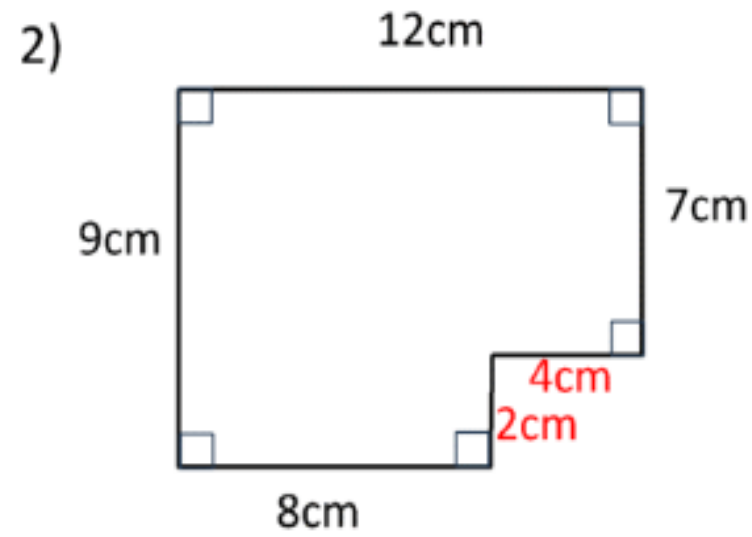
Perimeter = 42 cm



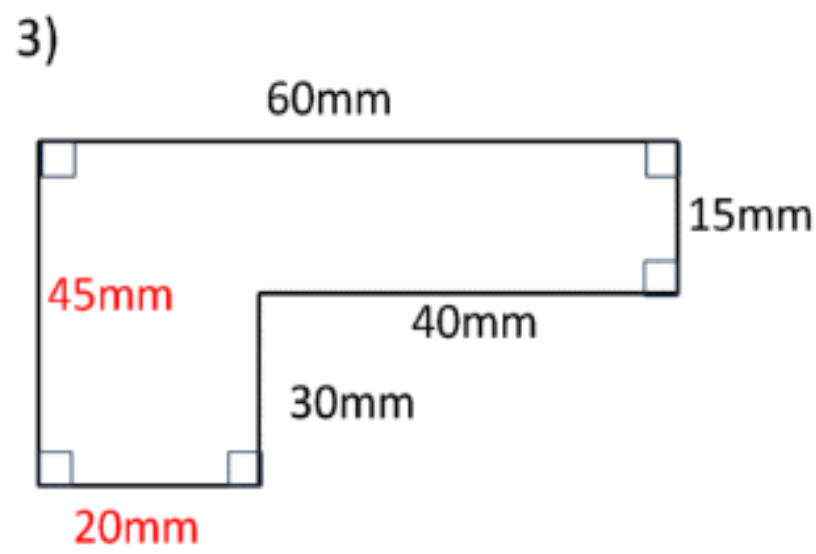
Perimeter = 70 mm



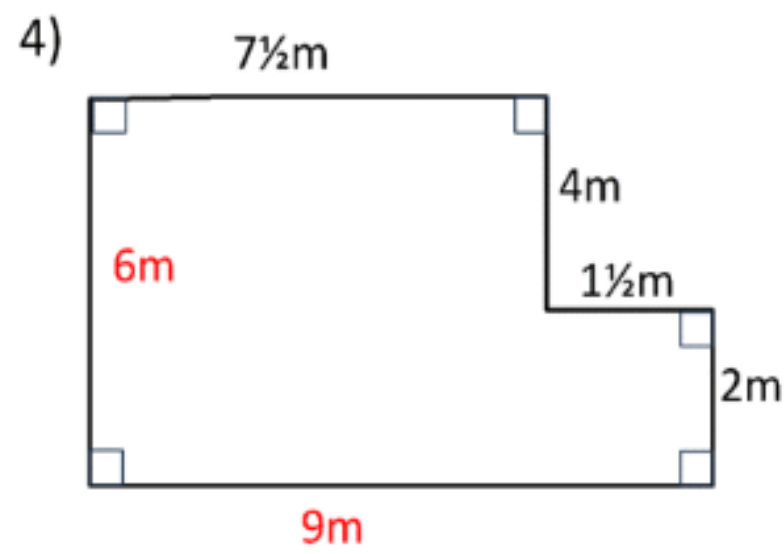
Perimeter = 36 cm



Perimeter = 42 cm



Perimeter = 210 mm



Perimeter = 30 m

English Comprehension

Field mouse

1. A

In the poem it says 'Little thing, in what dark den, / Lie you all the winter sleeping?'

2. E

In the poem it says "Keep away from corn".

3. C

In the poem the field mouse is referred to as a "Pretty, quiet harmless thing" — "harmless" is another word for gentle.

4. B

In the poem it says "you must not steal the grain / He [the farmer] has stacked with so much pain." In this line, "so much pain" means 'with so much care'.

5. C

In the poem it says "Make your hole where mosses spring, / Undemeath the tall oak's shadow".

6. D

The field mouse finds food, eats, plays and makes a nest, but there is no mention of it going to the farmer's house.

7. A

"scarcely" means 'hardly'. In the next verse of the poem the field mouse is referred to as "Little thing", suggesting it is small, so it hardly causes the grass to move as it passes.

8. A

'chewing' is closest in meaning to "nibbling" — both words mean 'eating little bits'.

9. E

'heaps' is closest in meaning to "stacks". Both words mean 'piles up'.

10. C

'drops' is closest in meaning to "sheds". Both words mean 'loses something'.

Synonyms

1. Happy → GLAD
2. Quick → FAST
3. Mad → MAD
4. Small → TINY
5. Begin → START
6. Important → ESSENTIAL

Antonyms

7. Ancient → MODERN
8. Expand → SHRINK
9. Generous → SELFISH
10. Victory → DEFEAT
11. Visible → INVISIBLE
12. Increase → DECREASE

English Grammar

Part A – Identify the Conjunction

1. but
2. or
3. so
4. because
5. and
6. Although
7. if
8. while

Part B – Choose the Correct Conjunction

9. so
10. but
11. because
12. and
13. Although

Part C – Join the Sentences Using a Conjunction

(Answers may vary if a suitable conjunction is used correctly.)

14. I finished my homework and watched television.
15. It was raining, but we went outside.
16. She studied hard because she wanted to pass the test.
17. He was tired, but he kept running.
18. You must hurry, or you will miss the bus.

Part D – Challenge Questions

(Answers will vary. Check for correct use of conjunction and correct punctuation.)

19. Example: Although it was late, I continued revising.
20. Example: I stayed inside because it was raining, and I wanted to stay warm.

Non Verbal Reasoning:- Test 4

1. **D**

All figures must contain a grey circle inside a white shape and a white circle outside the shape.

2. **B**

All figures are identical apart from rotation.

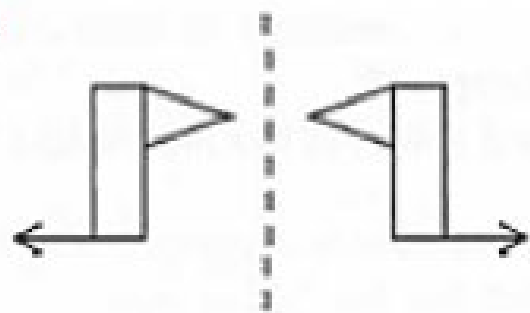
3. **C**

In all figures, the robot's eyes must be the same shape as its head. Its mouth must be the same shape as the shapes on its body.

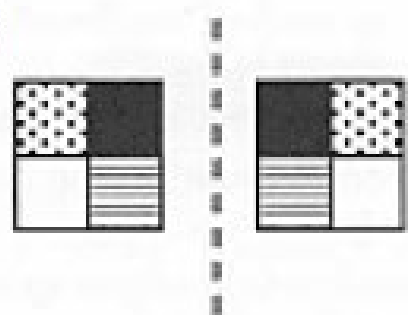
4. **E**

All figures must contain four circles and the arrow must point to a black circle.

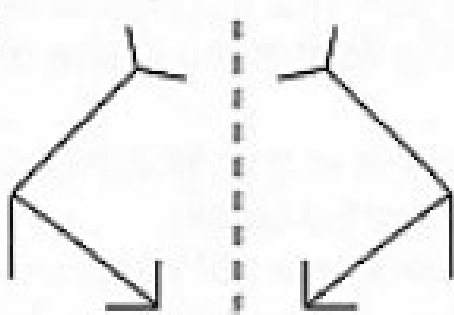
43 b



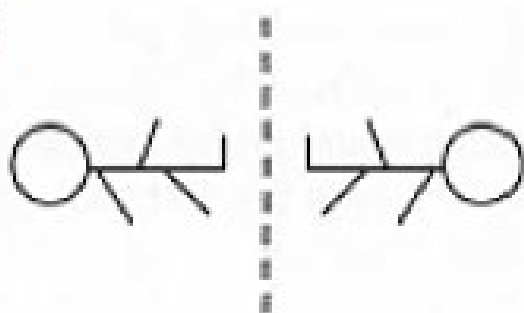
44 d



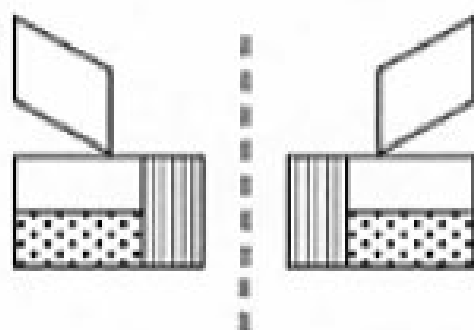
45 d



46 b



47 c



48 e

